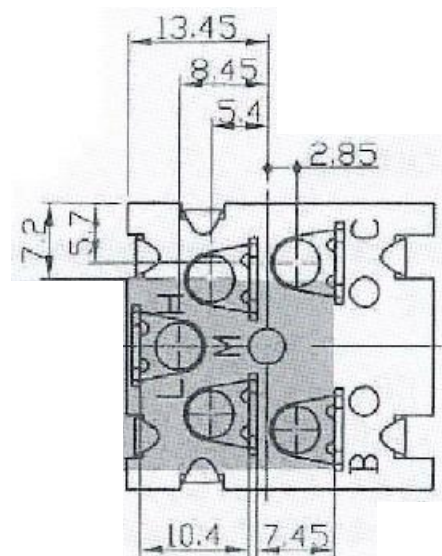
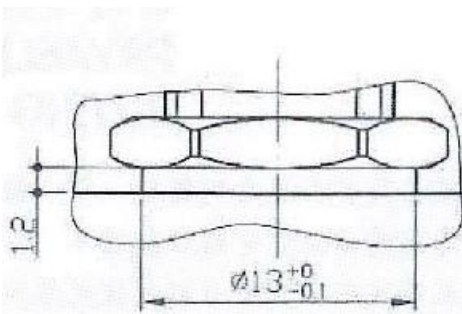
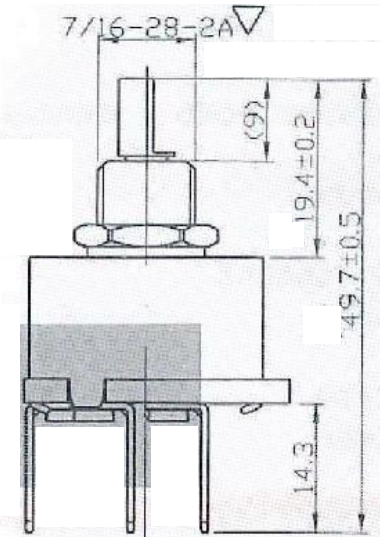
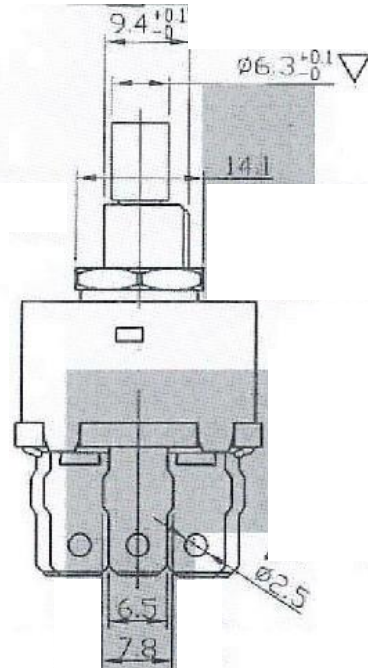
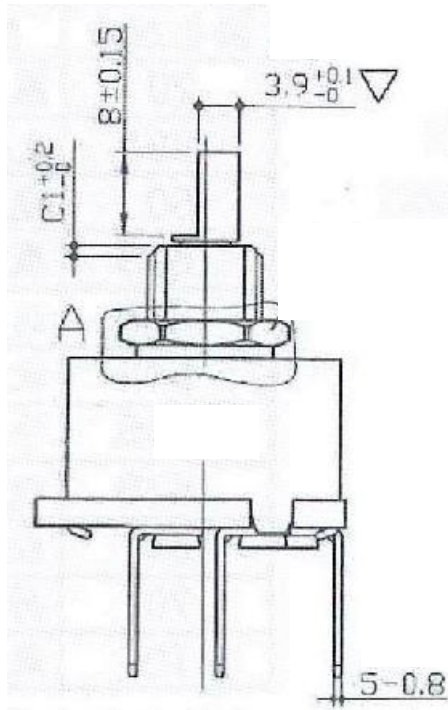
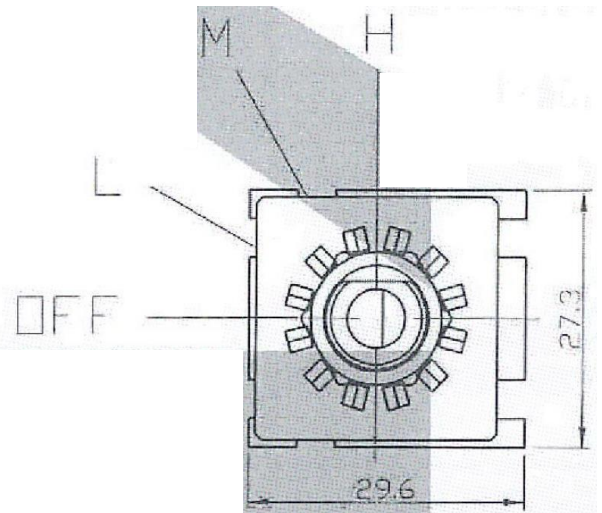


(POSITION)	(CIRCUIT MAKE)
OFF	L+H
L	B+L+C
M	B+M+C
H	B+H+C



		<b>QUOTE SENZA TOLLERANZA VEDI TAB. MELCHIONI NI04/B002</b>		<b>GRADO PRECISIONE</b>													
<b>TRATT. TERM.</b> _____		<b>TOLLERANZE GENERALI DI RAPPRESENTAZIONI, DI FORMA, DI POSIZIONE E GEOMETRICHE UNI 7226/1 ISO 1101</b>															
<b>TRATT. SUP.</b> _____		<b>MATERIALE</b> _____															
<table border="1"> <thead> <tr> <th>FASE</th> <th>DATA</th> <th>FASE</th> <th>DATA</th> </tr> </thead> <tbody> <tr> <td>A</td> <td>S.P.C.</td> <td>C</td> <td>PRE-PROD.</td> </tr> <tr> <td>B</td> <td>ING.-IND.</td> <td>D</td> <td>PROD.</td> </tr> </tbody> </table>		FASE	DATA	FASE	DATA	A	S.P.C.	C	PRE-PROD.	B	ING.-IND.	D	PROD.	<b>DENOMINAZIONE</b> <b>COMMUTATORE A</b> <b>3 VELOCITA'</b>		<b>N° DISEGNO</b> <b>700001758</b> <b>C.88.06.005.A</b>	
FASE	DATA	FASE	DATA														
A	S.P.C.	C	PRE-PROD.														
B	ING.-IND.	D	PROD.														
		<b>MELCHIONI S.P.A.</b> <b>DIVISIONE MOTION</b> <small>Via Pietro Colletta, 37 - 20135 Milano          Tel. +39 (0) 279 4705          Fax (0) 279 43 30          Web : www.melchioni.it          Email : motiondivision@melchioni.it</small>		<table border="1"> <tr> <td><b>DATA</b> 03/11/2020</td> <td><b>DIS.</b> Benigno</td> <td><b>CONTR.</b> Bruno</td> <td><b>SCALA</b> -</td> <td><b>A4</b></td> </tr> </table>		<b>DATA</b> 03/11/2020	<b>DIS.</b> Benigno	<b>CONTR.</b> Bruno	<b>SCALA</b> -	<b>A4</b>							
<b>DATA</b> 03/11/2020	<b>DIS.</b> Benigno	<b>CONTR.</b> Bruno	<b>SCALA</b> -	<b>A4</b>													

<b>Material</b>	Cu
<b>Thread</b>	M11*0.75-2
<b>Terminal</b>	5 PIN
<b>Segment Point</b>	OFF/L/M/H
<b>Rated Voltage</b>	24 VDC
<b>Rated Current</b>	20 A
<b>Service Life Mechanical</b>	100,000 ops
<b>Service Life Electrical</b>	20,000 ops
<b>Contact Resistance</b>	5 VDC 1 A, <25 mΩ
<b>Dielectric Strength</b>	500 VAC 60 Hz 1 min
<b>Insulation Resistance</b>	500 VDC 1 min, >10 MΩ
<b>Operating Temperature</b>	-40~85 °C
<b>Weight</b>	About 30 g
<b>Meet With RoHS Complementary</b>	